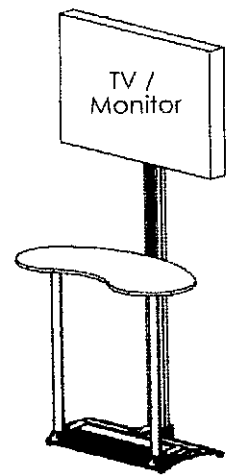
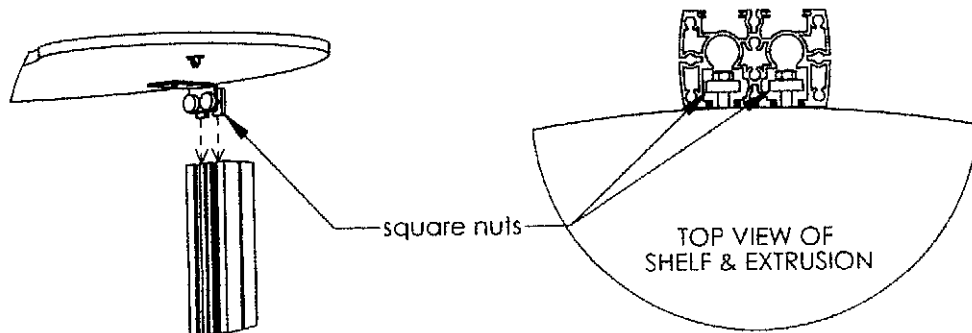


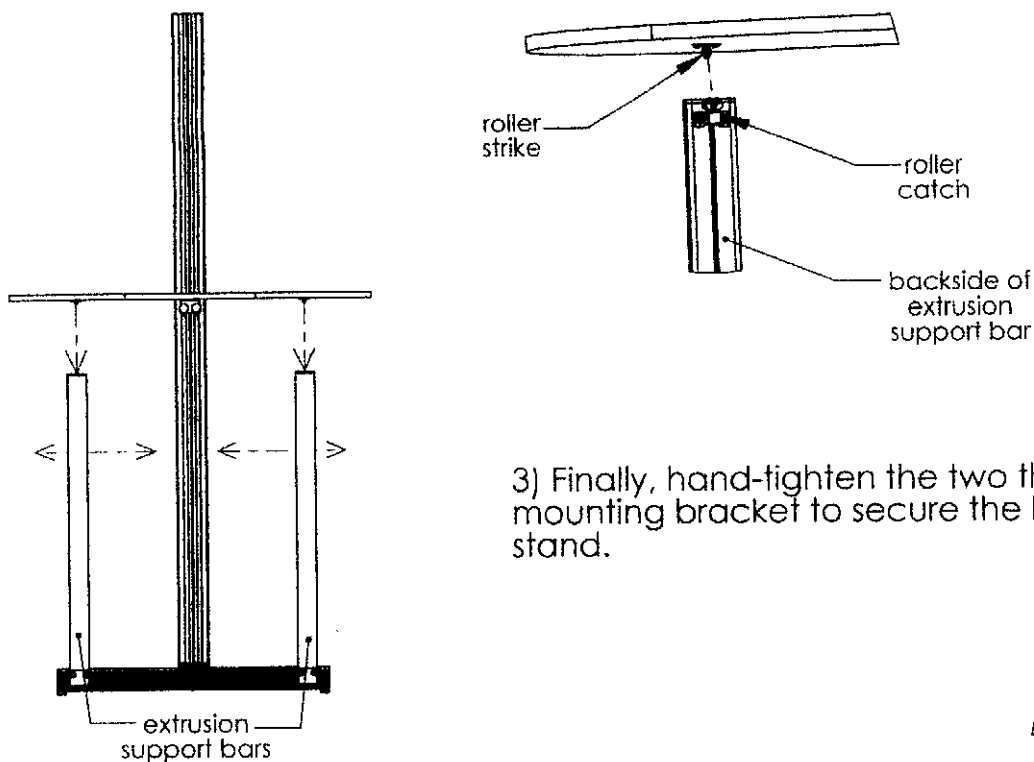
# AVSHELFLAP Instruction Sheet

This instruction sheet lists the necessary steps for attaching the laptop shelf to the AV Stand.

1) Begin by aligning the square nuts found on the back of the mounting bracket with the channels on the front of the AV stand extrusion as seen below. The shelf will slide down the channels from the top of the extrusion.

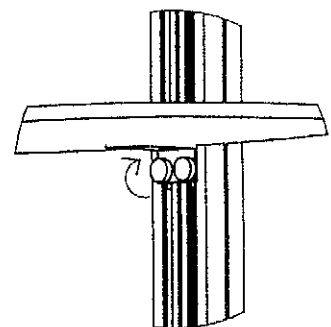


2) Slide the shelf down the AV stand extrusion until it rests on the extrusion support bars. The extrusion support bars should be adjusted left to right so that the roller strikes on the underside of the shelf align with the roller catches found on the backside of the support bars.



Adjust left to right for proper alignment with the shelf.

3) Finally, hand-tighten the two thumb screws on the mounting bracket to secure the laptop shelf to the stand.



\* Note... some adjustments may be necessary to level out the shelf.